


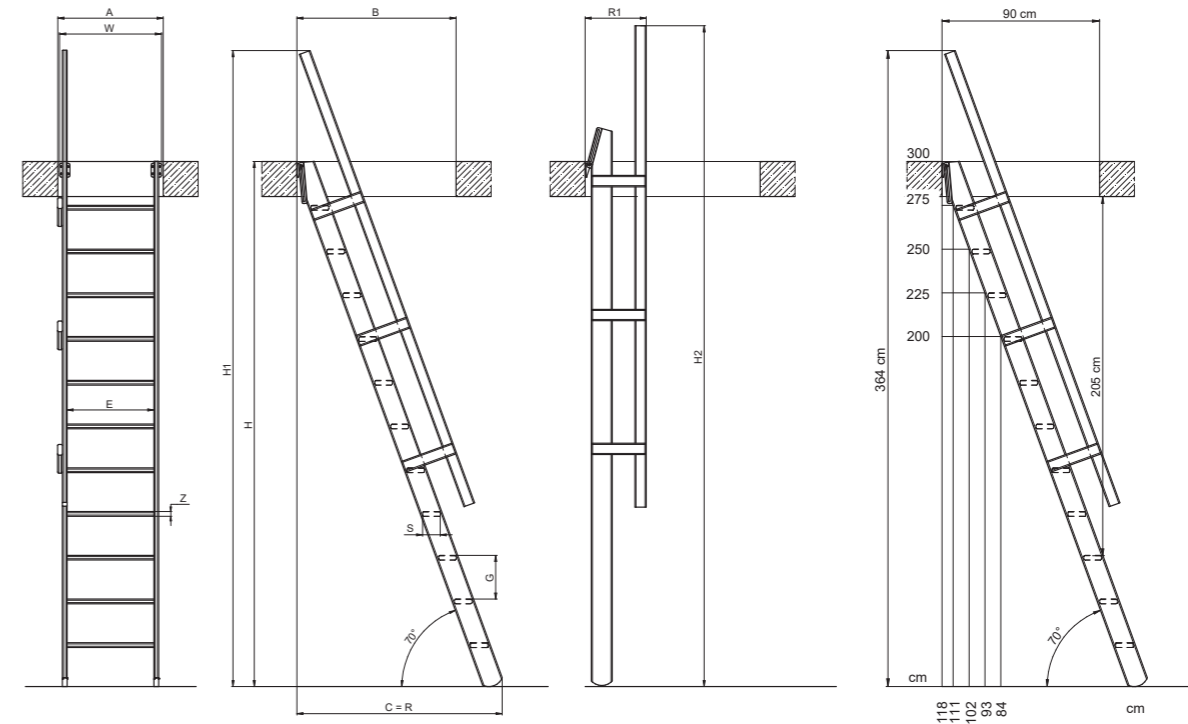


# TECHNICAL SPECIFICATION

## MSP PIVOT, MSP-WW, MSP-CC WOODEN MILLER STAIRCASE

LOFT LADDER TYPE	MSP Pivot	MSP-WW	MSP-CC
			
<b>I. APPLICATION</b>			
Max. height [cm]	300		
Installation	- product intended for DIY installation - easily adjusted to the room height		
<b>II. FEATURES</b>			
Ladder	spruce wood		
Colour	ready to be painted	white (double varnishing)	black (double varnishing)
Treads	durable connection between treads and ladder		
Installation kit	included in set		
Handrail	+		
<b>III. TECHNICAL PARAMETERS</b>			
Staircase inclination angle	70°		
Minimum dimensions of ceiling opening [cm]	60 x 90		
Maximum loading	160 kg		

### IV. LOFT LADDER DIAGRAM




### V. TECHNICAL PARAMETERS FOR LOFT LADDERS IN PARTICULAR SIZES

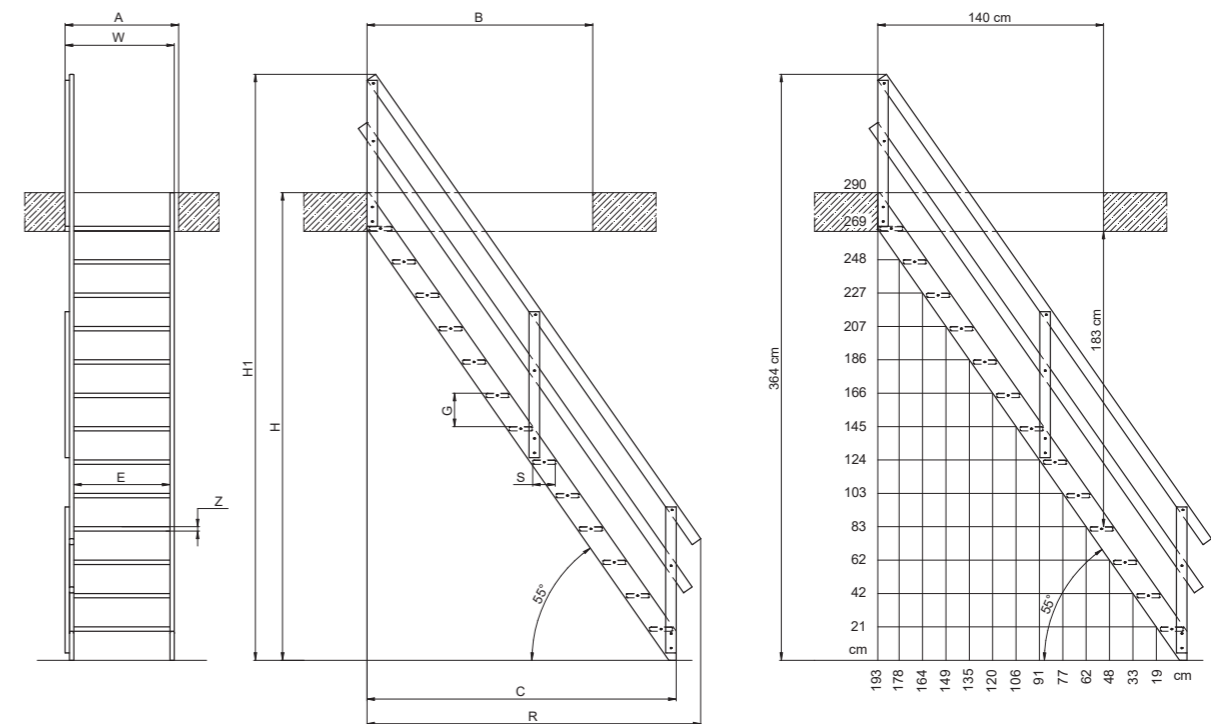
Size		55 cm
Max. height [cm]	H	300
Min. height [cm]	H min	200
Installed staircase height with handrail [cm]	H1	364
Height of folded ladder with handrail [cm]	H2	378
Min. ceiling opening dimensions [cm]	AxB	60x90
Distance occupied by staircase on the floor [cm]	C	118
Distance occupied by staircase on the floor with handrail [cm]	R	118
Distance occupied by folded staircase [cm]	R1	35
Staircase width [cm]	W	59
Number of treads		11
Distance between treads [cm]	G	25
Tread thickness [cm]	Z	2.7
Tread width [cm]	E	50
Tread depth [cm]	S	10
Ladder inclination [°]		70

# TECHNICAL SPECIFICATION

## MSU UNIVERSAL WOODEN MILLER STAIRCASE

LOFT LADDER TYPE	MSU Universal
	
<b>I. APPLICATION</b>	
Max. height [cm]	290
Installation	- product intended for DIY installation - easily adjusted to the room height
<b>II. FEATURES</b>	
Ladder	spruce wood
Colour	ready to be painted
Treads	durable connection between treads and ladder
Installation kit	included in set
Handrail	-
<b>III. TECHNICAL PARAMETERS</b>	
Staircase inclination angle	55°
Minimum dimensions of ceiling opening [cm]	70 x 140
Maximum loading	160 kg
<b>IV. OPTIONS</b>	
Accessories	- the MXH-U handrail can be installed on the right or left-hand side

### V. LOFT LADDER DIAGRAM




### VI. TECHNICAL PARAMETERS FOR LOFT LADDERS IN PARTICULAR SIZES

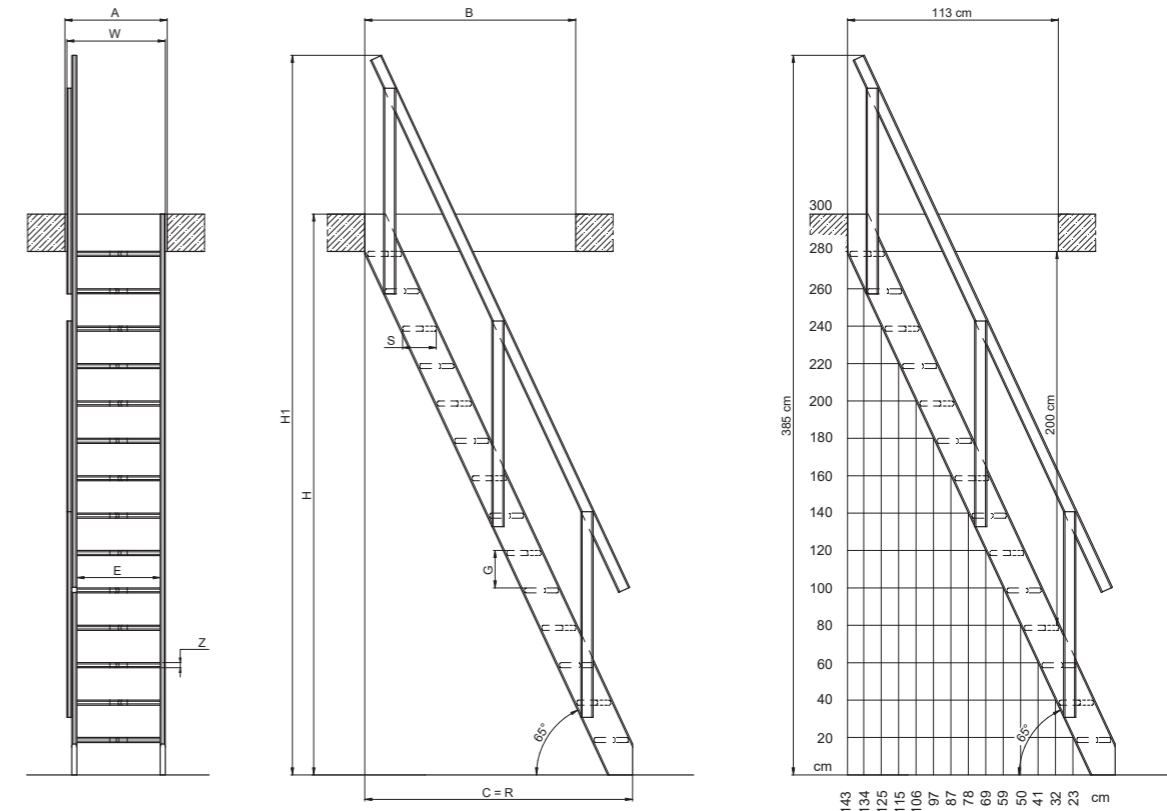
Size		65 cm
Max. height [cm]	H	290
Installed staircase height with handrail [cm]	H1	364
Min. ceiling opening dimensions [cm]	AxB	70x140
Distance occupied by staircase on the floor [cm]	C	192
Distance occupied by staircase on the floor with handrail [cm]	R	207
Staircase width [cm]	W	65
Number of treads		13
Distance between treads [cm]	G	21
Tread thickness [cm]	Z	2.7
Tread width [cm]	E	60
Tread depth [cm]	S	14
Ladder inclination [°]		55

# TECHNICAL SPECIFICATION

## MSA ALTERO WOODEN MILLER STAIRCASE

LOFT LADDER TYPE	MSA ALTERO
	
<b>I. APPLICATION</b>	
Max. height [cm]	300
Installation	- product intended for DIY installation - easily adjusted to the room height
<b>II. FEATURES</b>	
Ladder	spruce wood
Colour	ready to be painted
Treads	Alternating tread design – “duck-step”. Durable connection between treads and ladder.
Installation kit	included in set
Handrail	-
<b>III. TECHNICAL PARAMETERS</b>	
Staircase inclination angle	65°
Minimum dimensions of ceiling opening [cm]	64 x 113
Maximum loading	160 kg
<b>IV. OPTIONS</b>	
Accessories	- the MXH-A handrail can be installed on the right or left-hand side

### V. LOFT LADDER DIAGRAM




### VI. TECHNICAL PARAMETERS FOR LOFT LADDERS IN PARTICULAR SIZES

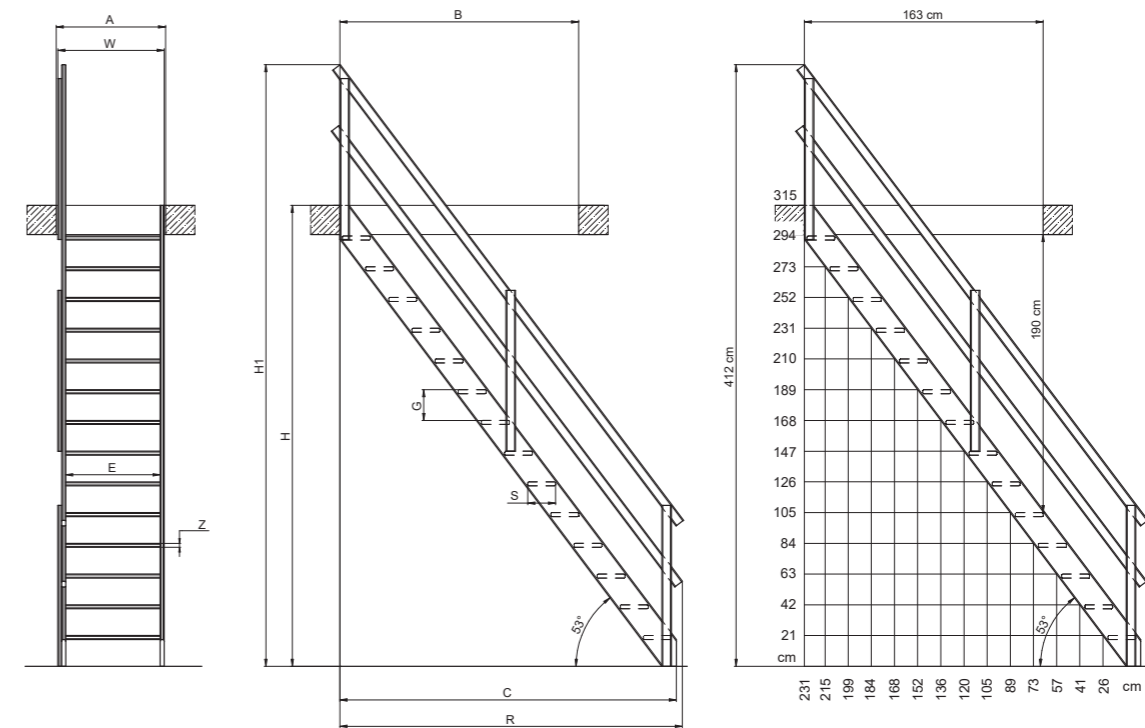
Size		60 cm
Max. height [cm]	H	300
Installed staircase height with handrail [cm]	H1	385
Min. ceiling opening dimensions [cm]	AxB	64x113
Distance occupied by staircase on the floor [cm]	C	143
Distance occupied by staircase on the floor with handrail [cm]	R	143
Staircase width [cm]	W	63
Number of treads		14
Distance between treads [cm]	G	20
Tread thickness [cm]	Z	2.7
Tread width [cm]	E	55
Tread depth [cm]	S	18/11
Ladder inclination [°]		65

# TECHNICAL SPECIFICATION

## MSS SUPERIOR WOODEN MILLER STAIRCASE

LOFT LADDER TYPE	MSS Superior
	
<b>I. APPLICATION</b>	
Max. height [cm]	315
Installation	- product intended for DIY installation - easily adjusted to the room height
<b>II. FEATURES</b>	
Ladder	spruce wood
Colour	ready to be painted
Treads	Durable connection between treads and ladder
Installation kit	included in set
Handrail	-
<b>III. TECHNICAL PARAMETERS</b>	
Staircase inclination angle	53°
Minimum dimensions of ceiling opening [cm]	60 x 90
Maximum loading	160 kg
<b>IV. OPTIONS</b>	
Accessories	- the MXH-S handrail can be installed on the right or left-hand side - the MSW Winder (left or right) makes it possible to adapt the structure of the staircase to the room in which the use of straight stairs is not possible

### V. LOFT LADDER DIAGRAM



### VI. TECHNICAL PARAMETERS FOR LOFT LADDERS IN PARTICULAR SIZES

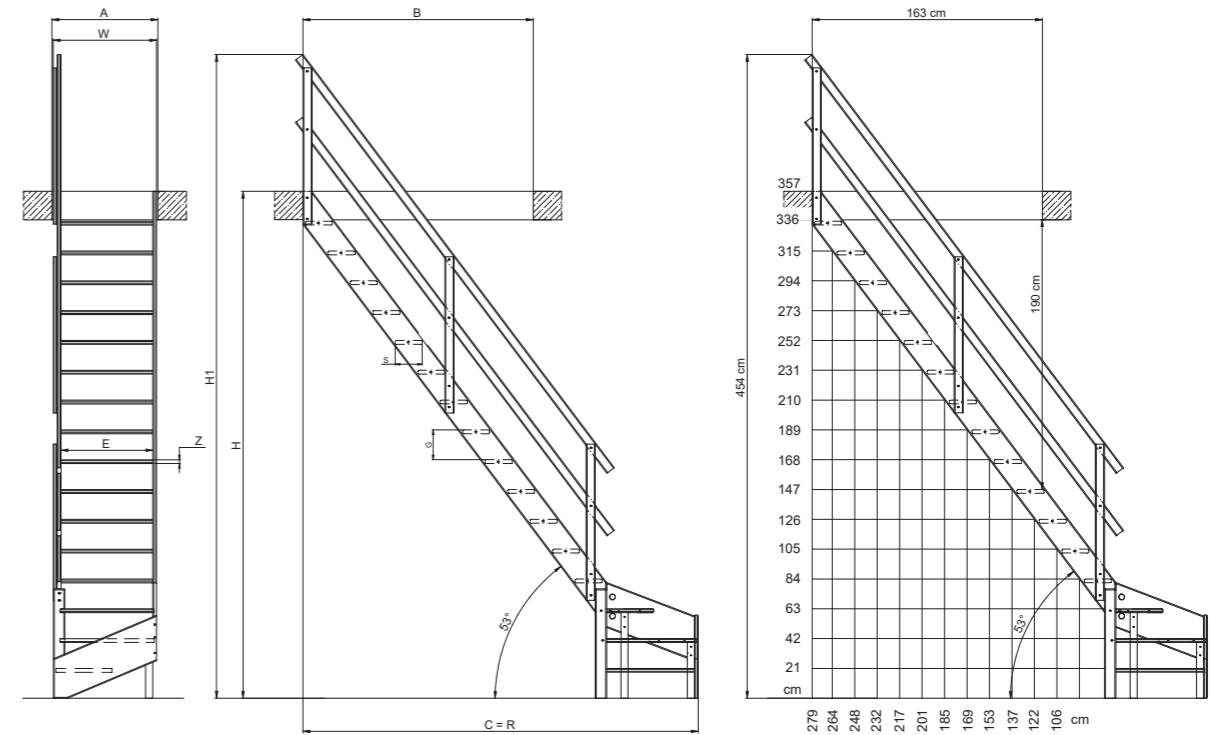
Size		70 cm
Max. height [cm]	<b>H</b>	315
Installed staircase height with handrail [cm]	<b>H1</b>	412
Min. ceiling opening dimensions [cm]	<b>AxB</b>	75x163
Distance occupied by staircase on the floor [cm]	<b>C</b>	231
Distance occupied by staircase on the floor with handrail [cm]	<b>R</b>	234
Staircase width [cm]	<b>W</b>	73
Number of treads		14
Distance between treads [cm]	<b>G</b>	21
Tread thickness [cm]	<b>Z</b>	2.7
Tread width [cm]	<b>E</b>	65
Tread depth [cm]	<b>S</b>	19
Ladder inclination [°]		53

# TECHNICAL SPECIFICATION

## MSW-L MSW-R WINDER

LOFT LADDER TYPE	MSW-L	MSW-R
		
<b>I. APPLICATION</b>		
Max. height [cm]	357	
Installation	- product intended for DIY installation - easily adjusted to the room height - to be used in conjunction with MSS Superior	
<b>II. FEATURES</b>		
Ladder	spruce wood	
Colour	ready to be painted	
Treads	Durable connection between treads and ladder	
Installation kit	included in set	
<b>III. TECHNICAL PARAMETERS</b>		
Staircase inclination angle	53°	
Minimum dimensions of ceiling opening [cm]	75 x 163	
Maximum loading	160 kg	

### V. LOFT LADDER DIAGRAM



### VI. TECHNICAL PARAMETERS FOR LOFT LADDERS IN PARTICULAR SIZES

Size		70 cm
Max. height [cm]	H	357
Installed staircase height with handrail [cm]	H1	454
Min. ceiling opening dimensions [cm]	AxB	75x163
Distance occupied by staircase on the floor [cm]	C	279
Distance occupied by staircase on the floor with handrail [cm]	R	279
Staircase width [cm]	W	73
Number of treads		16
Distance between treads [cm]	G	21
Tread thickness [cm]	Z	2.7
Tread width [cm]	E	65
Tread depth [cm]	S	19
Ladder inclination [°]		53